

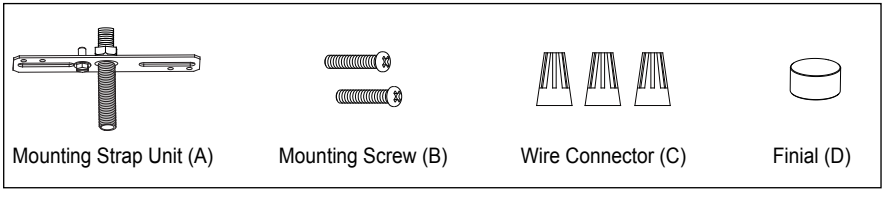
# ASSEMBLY AND INSTALLATION INSTRUCTIONS

C0260

**WARNING:** TO AVOID RISK OF ELECTRICAL SHOCK, BE SURE TO SHUT OFF POWER BEFORE INSTALLING OR SERVICING THIS FIXTURE.

**NOTES:** 1. Before installing, consult local electrical codes for wiring and grounding requirements.  
2. READ AND SAVE THIS INSTRUCTIONS.

## Hardware Package (included):

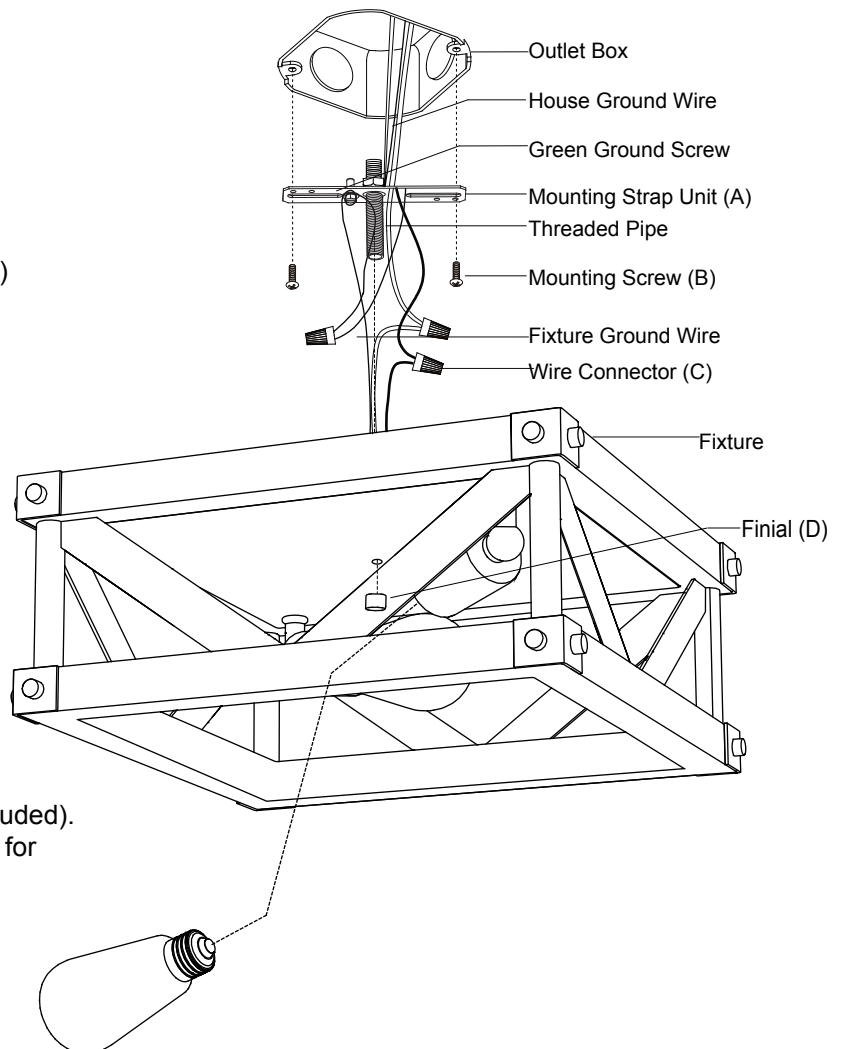


## Installation Steps

Turn off the power at fuse or circuit box.

1. Attach the mounting strap unit (A) to the outlet box using two mounting screws (B).
2. Pull out the source wires from the outlet box. Make wire connections using wire connectors (C) as follows:
  - Connect the smooth-coated wire (marked) from the fixture to the black wire from the power source.
  - Connect the ribbed-coated wire (unmarked) from the fixture to the white wire from the power source.
  - Attach the fixture ground wire to the mounting strap unit (A) with the green ground screw, then connect it to the house ground wire with a wire connector (C). Carefully put the wires back into the outlet box.
3. Attach the canopy to the mounting strap unit (A) and secure it with a finial (D).
4. Install 2 x 60W max. medium base bulbs (not included). See relamping label at socket area or packaging for maximum wattage allowed.

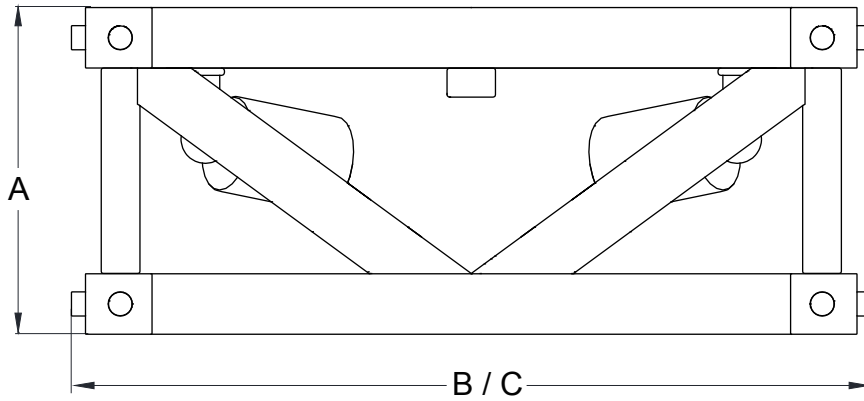
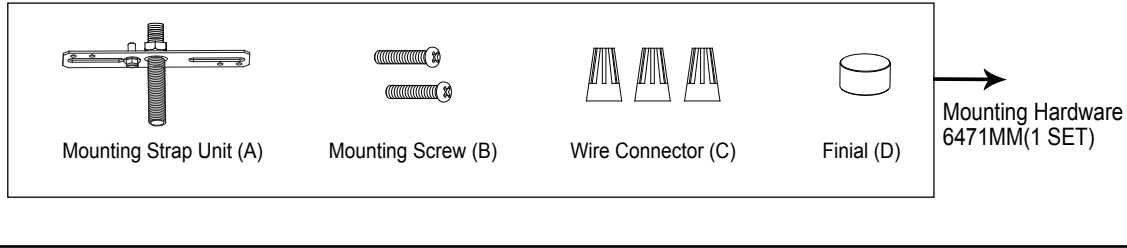
Turn on the power at fuse or circuit box.



Max. 60W Medium Base  
Bulb (not included)

The following parts are available for re-order if damaged or missing.

**Spare Parts List:**



**A: 5-1/2"**  
**B: 13"**  
**C: 13"**