

# LED Linear Pendant

**LP19937**  
INSTALLATION SHEET

## START FROM HERE

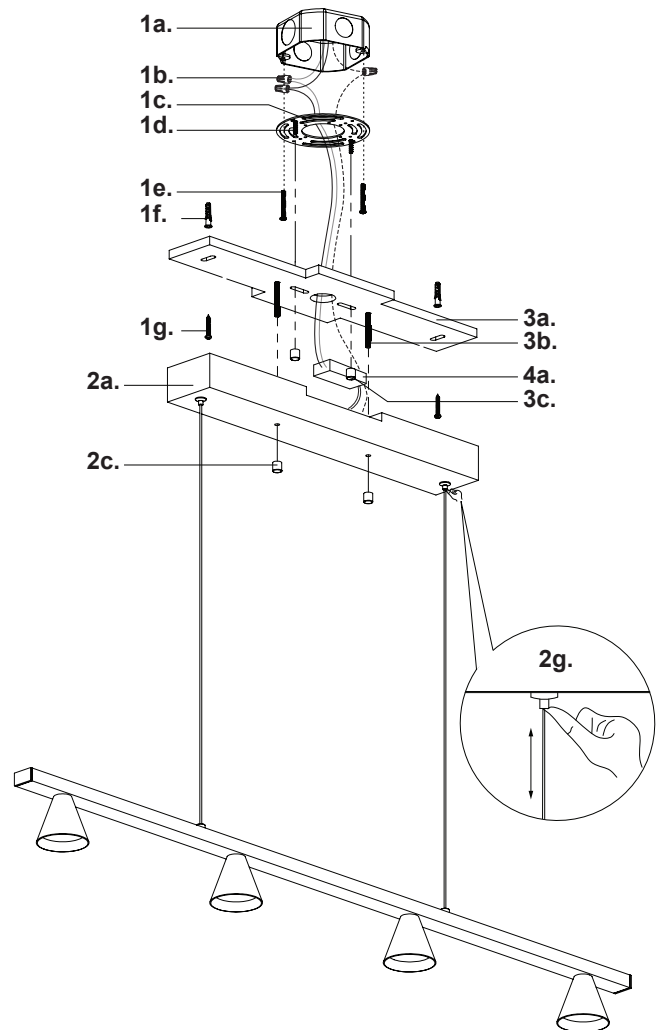
- Make sure **POWER** is **COMPLETELY OFF** at the fuse box
- Have your fixture installed by a qualified licensed electrician
- Prepare everything in a clear area
- Wear gloves at all times during this installation
- Read instructions carefully before you start assembly
- Keep this installation sheet for future reference

**Technical Support:** 1-855-855-8926

## Please Note:

- This Kuzco LED fixture comes with pre-wired LED module(s)
- Unless instructed, Do Not touch any part of the LED module(s) as any unnecessary contact with the module could cause permanent damage
- For dimming, an ELV (Electronic Low Voltage) or TRIAC type of dimmer is required
- 120V input

- 1.** Remove fixture from its original package
- 2.** Separate backplate (**3a**) from canopy (**2a**) by removing canopy decorative nuts (**2c**)
- 3.** Separate mounting plate (**1c**) from backplate (**3a**) by removing backplate decorative nuts (**3c**)
- 4.** Attach mounting plate (**1c**) to electrical junction box (**1a**) using junction box screws provided (**1e**) in hardware package
- 5.** To change fixture height, push and hold wire gripper (**2g**), slide wire to desired length and then release wire gripper (**2g**) to secure
- 6.** Make proper electrical connections (**black to hot "L"**, **white to neutral "N"**, **ground to "GND"**) with wire nuts (**1b**) provided in hardware package and place driver (**4a**) inside canopy (**2a**)
- 7.** Align mounting plate screws (**1d**) with holes on backplate (**3a**) and secure with backplate decorative nuts (**3c**). Secure backplate (**3a**) to mounting surface with screws (**1g**) and anchors (**1f**)
- 8.** Align backplate screws (**3b**) with holes on canopy (**2a**) and secure with canopy decorative nuts (**2c**)
- 9.** Fine tune wire length if necessary, by push and hold wire gripper (**2g**) and then adjust wire to desired length



**KUZCO**

19054 28th Avenue Surrey, BC Canada V3Z 6M3  
T: 604 538 7162 TF: 1-855 85 KUZCO F: 604 538 7196  
W: kuzcolighting.com  
20220322